

Dark Skies Compliant



Park City Lights™



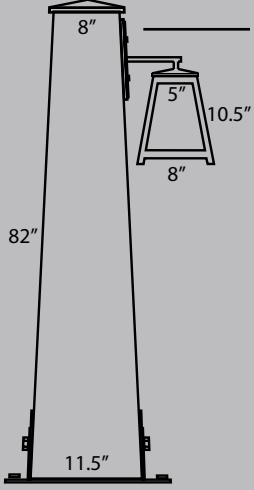
Timber Lantern Series

MAY 2013



## 1. CHOOSE TIMBER SPECS

**SIZE**



**COLONNADE 82"**

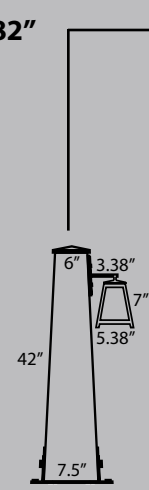
Timber  
82"h X 11.5" X 11.5"

Lantern  
8" bottom, 5" top, 10.5" tall

9LED 25 ° 11.2 watt  
\*ZD9LED 25 ° 11.2 watt  
50 watt equivalent

ZD Board  
Needs FX Luxor Transformer

QTY \_\_\_\_\_



**BOLLARD 42"**

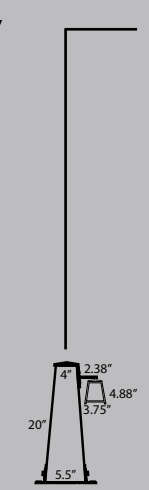
Timber  
42"h X 7.5" X 7.5"

Lantern  
5.38" bottom, 3.38" top, 7" tall

6LED 25 ° 10.1 watt  
\*ZD6LED 25 ° 10.1 watt  
35 watt equivalent

ZD Board  
Needs FX Luxor Transformer

QTY \_\_\_\_\_



**PATH 22"**

Timber  
22"h X 5.5" X 5.5"

Lantern  
3.75" bottom, 2.38" top, 4.88" tall

3LED 25 ° 4.2 watt  
\*ZD3LED 25 ° 4.2 watt  
20 watt equivalent

ZD Board  
Needs FX Luxor Transformer

QTY \_\_\_\_\_

**CUSTOM**

\*\*\*Please Specify Desired Height & Width

**Consult Factory**

QTY \_\_\_\_\_

**STYLE**

Non Tapered  


Tapered  


**STAIN**

Natural  
(protective coating)

Cappuccino


Cordovan Brown

Wood Chip

Stonehedge

Gray Seas

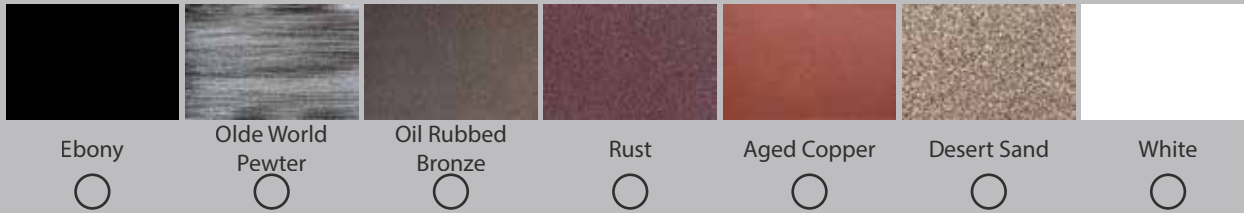
**TREATMENT**

Non Distressed  
Non Burned  


Distressed  
Non Burned  


Distressed  
Burned  


## ALUMINUM

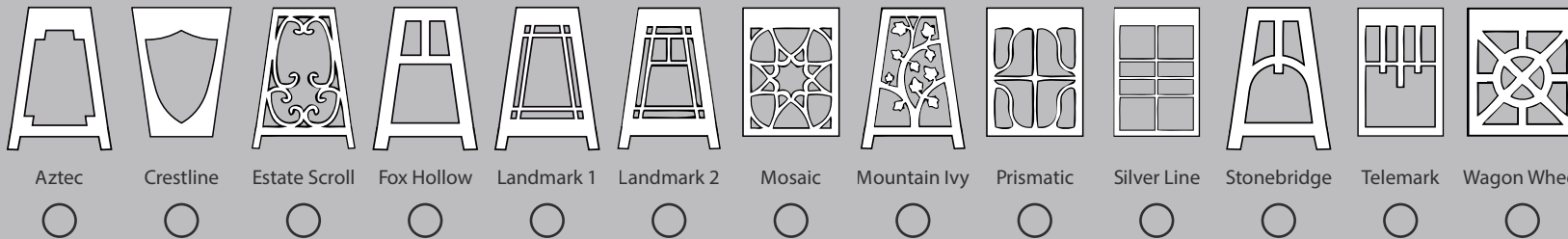


## WEATHERED STEEL



**2. CHOOSE METAL SPECS**  
(cap, lantern, saddle)

## PARK CITY LIGHTS DESIGN



**3. CHOOSE DESIGN**

## CUSTOM DESIGN

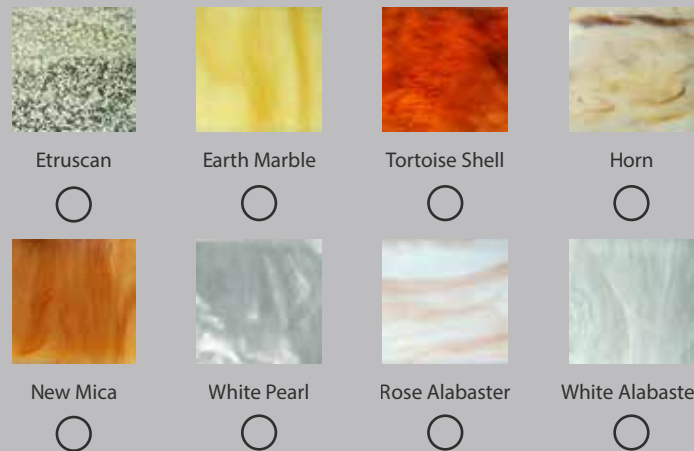
**Non-Exclusive**  
(pattern retained by PCL  
\*\*\***offered** to other clients)

**Exclusive**  
(pattern retained by customer  
\*\*\***not offered** to other clients)

## MICA



## ACRYLIC



**4. CHOOSE SHADE MATERIAL**



**Park City Lights, LLC**

P.O. Box 4-404  
Park City, UT 84060

4 3 5 - 2 0 0 - 5 8 0 2

[WWW.PARKCITYLIGHTS.COM](http://WWW.PARKCITYLIGHTS.COM)